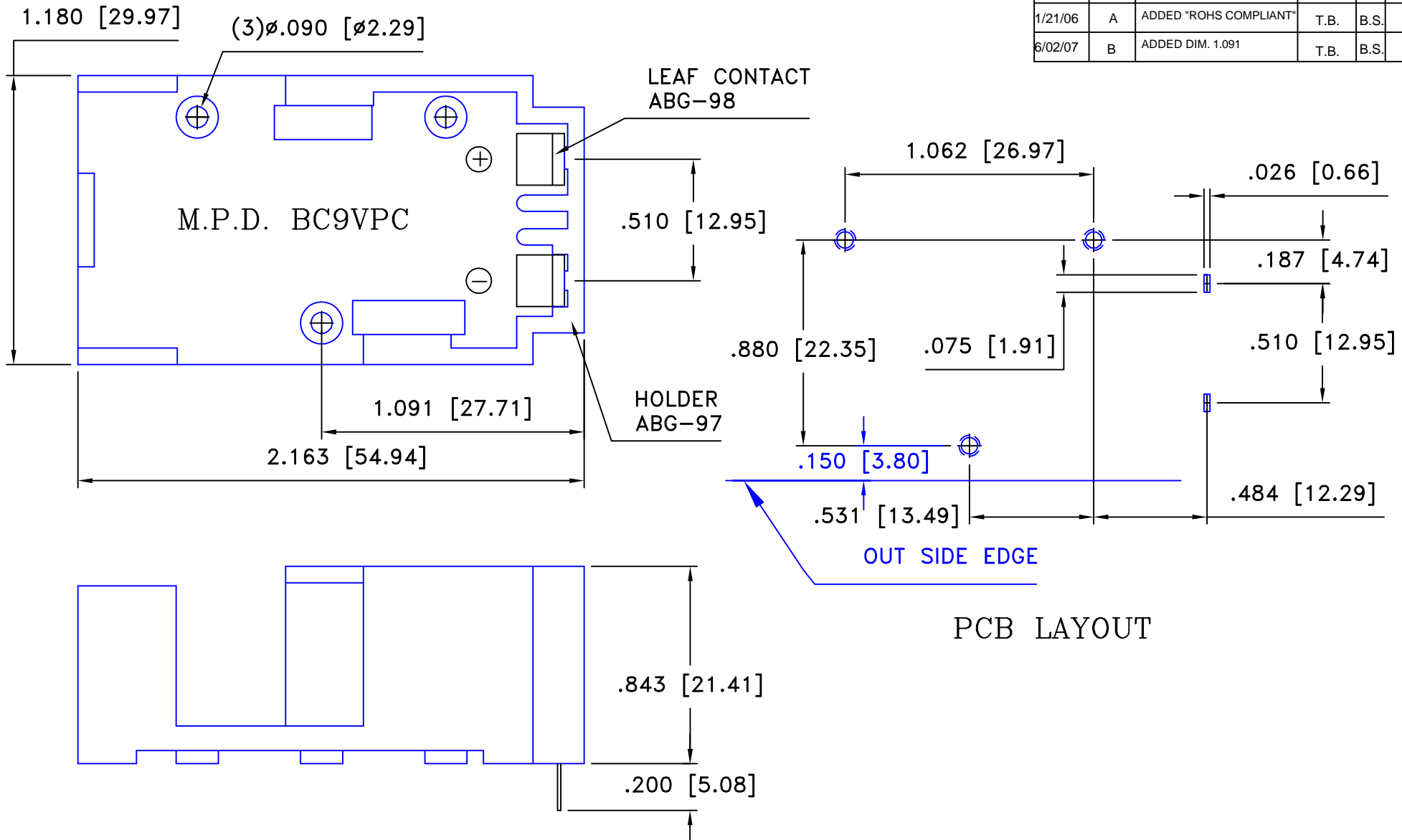


Date	SYM	REVISION RECORD	AUTH	DR.	CK.
1/21/06	A	ADDED "ROHS COMPLIANT"	T.B.	B.S.	
6/02/07	B	ADDED DIM. 1.091	T.B.	B.S.	




PCB LAYOUT

ROHS COMPLIANT

FEATURES REVERSE POLARITY PROTECTION

QTY REQ'D	PART NO.	DESCRIPTION	MATERIAL
1	ABG-97	BC 9V PC HOLDER	HIGH IMPACT ABS BLACK, UL940-0 File No.E56070(S)
2	ABG-98	BC 9V PC LEAF CONTACT	PHOSPHOR BRONZE NICKEL PLATED

Tolerance (Except as noted)		 Memory Protection Devices, Inc 200 Broad Hollow Road, Farmingdale, New York 11735
decimal ±.5 (.020)	Fractional ± .8 (.030)	
Scale XX		Drawn By B.S. Approved By T.B.
Title BC 9V PC ASSEMBLY		Date 6/02/07
Angular ± 3°		Drawing Number BC9VPC